

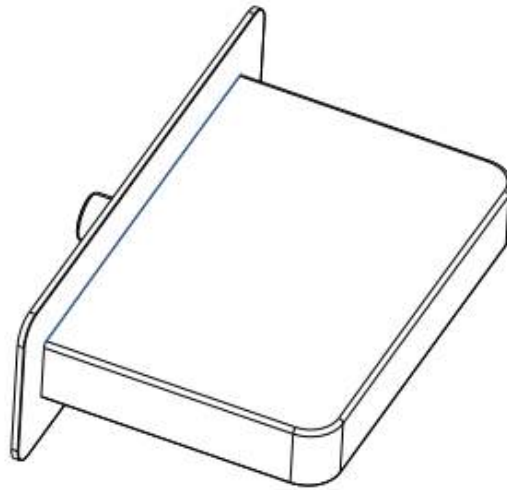
USER MANUAL



Thank you for choosing Better Bathrooms.
Please read this manual before installing your product
and keep for future reference.

better 
bathrooms

Zanda Bath Spout BeBa_28245 / BeBa_28247



- **Single-person assembly**
- **Tools required**
- **We always recommend using professional tradespeople to install your product**

Congratulations on your purchase

And welcome to our growing gang of savvy shoppers

We're on a mission to bring you extraordinary bathroom products, for less. From modern to traditional style ceramics, plus the gorgeous fixtures, fittings and furniture to match. So, you can fall in love with your space every single day.

As one of the UK's largest independent bathroom stores, we've received countless awards; including the National Business Awards UK, the Digital Entrepreneur Awards and being placed on The Sunday Times Fast Track 100.

We hope your new product goes above and beyond your expectations. However, should any problems occur, please:

- log in to your account and contact our customer services team via your self-serve portal – betterbathrooms.com/CustomAccount/Login
- contact us via betterbathrooms.com/content/contact-us

Important information

- Please read these instructions thoroughly and retain for future reference

1.To avoid scratches and damage to kit surfaces, wear protective gloves when assembling/ installing the system.

2.Prior to installation, check the product for transport damage. Damage, even though it will not be visible,can significantly affect system performance after the installation.

3.System must be flushed prior to installation.

4. Technical Specifications:

Operating Pressure:

Min: 100kPa/1.0bar

Max: 500kPa/5.0bar

Optimum: 100kPa/1.0bar - 500kPa/5bar

Recommended installation of pressure limiting valve if supply exceeds 500kPa

Operating Temperature:

Hot: Max 80°C

Cold: Min 5°C

Hot and Cold Pressures must be balanced

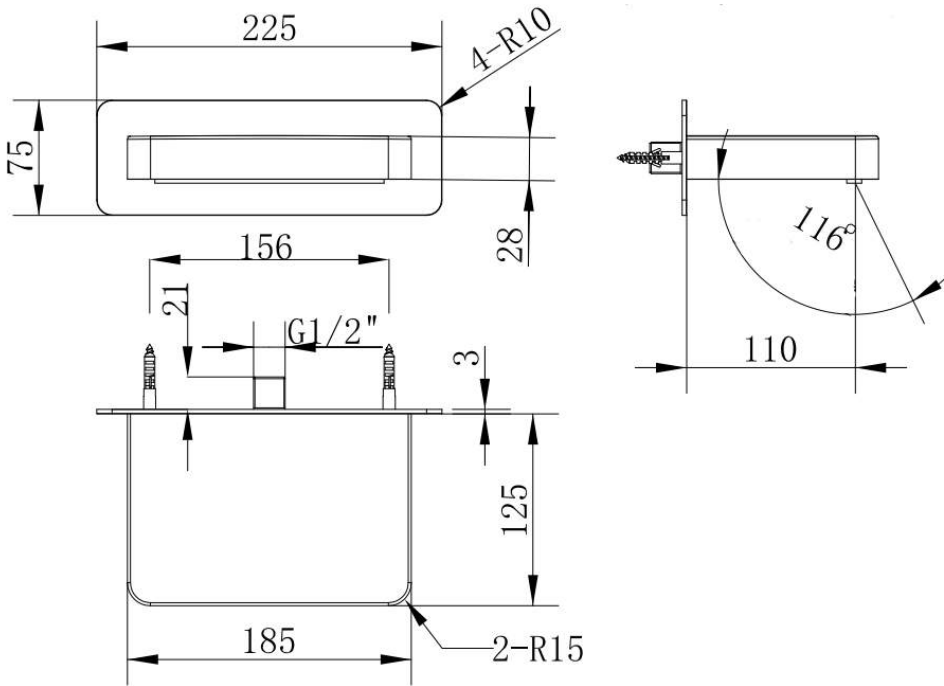
Inlet Connections:

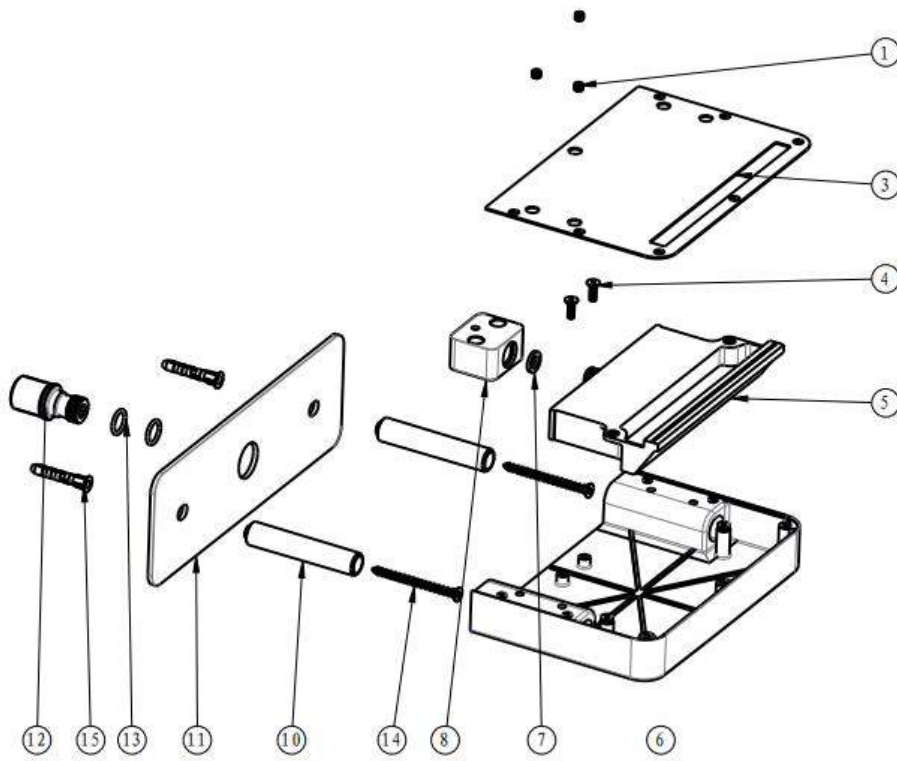
All G $\frac{1}{2}$ "

NOTE:

- After installation all connections must be checked for leaks.
- All installations must be carried out in compliance with relevant water regulations.

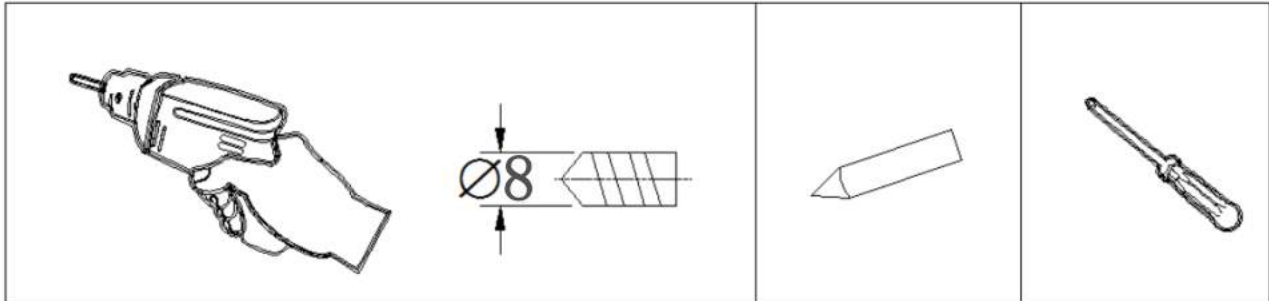
Parts / Diagrams





15	PTPP0018-XX	Wall plug	2	
14	PTST0161-XX	Screw	2	
13	PTRR0044-XX	O-ring	2	
12	PTMB0568-P1	Connector	1	
11	PTCT0516-P1	plate	1	
10	PTMT0306-XX	tube	2	
9	PTST0135-XX	Screw	7	
8	PTDB0268-P1	Fixed base	1	
7	PTWR0052-XX	Washer	1	
6	PTCZ0015-P1	Main body	1	
5	PTGP0001-XX	Spout	1	
4	PTST0159-XX	Screw	2	
3	PTCT0515-XQ	Back plate	1	
2	PTST0144-XX	M4 Screw	2	
1	PTST0087-XX	M5 Screw	3	
NO.	Part NO.	Part Name	QTY	Remark

Tools required

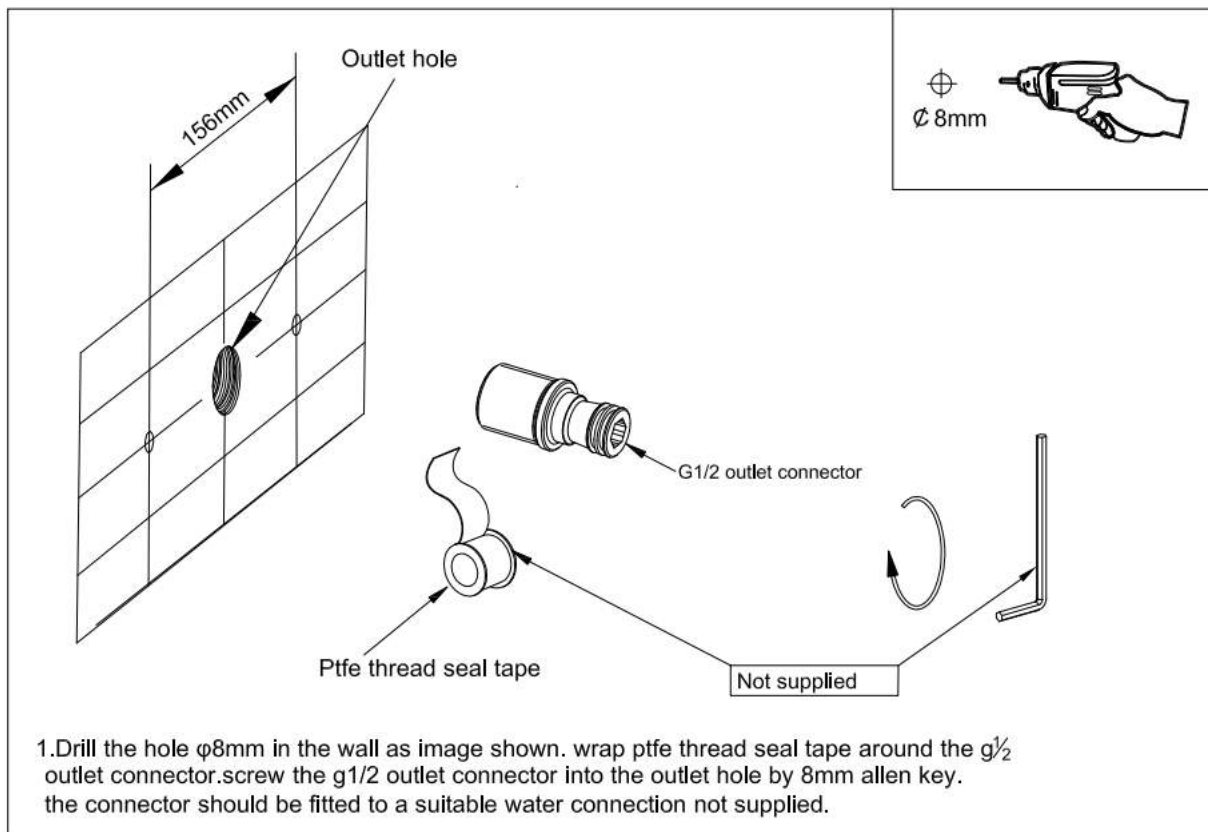


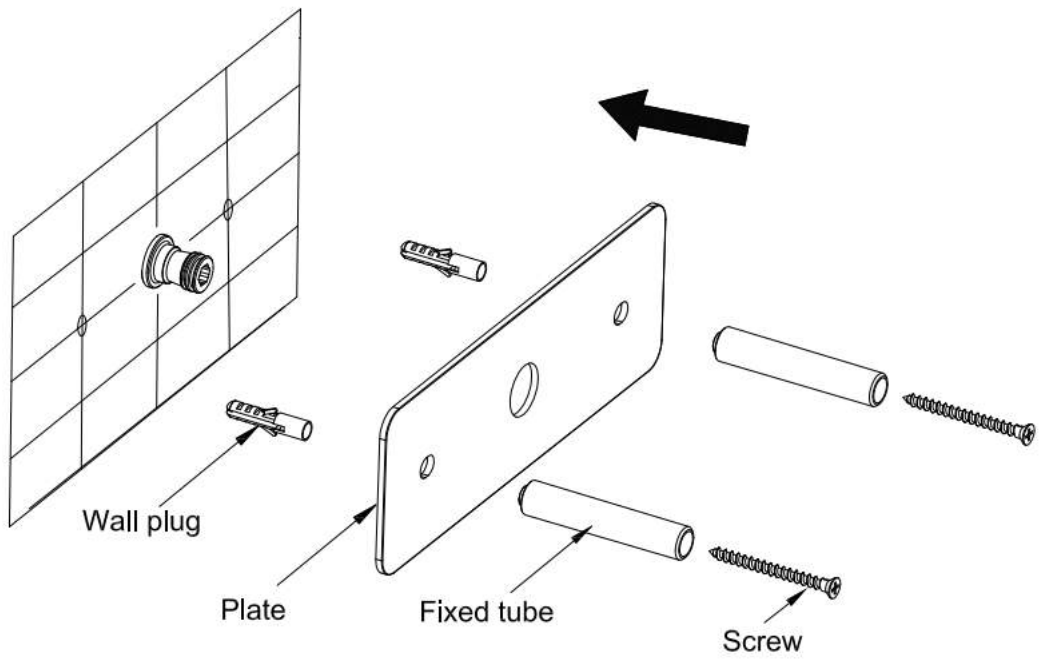
Electric Drill

Pen

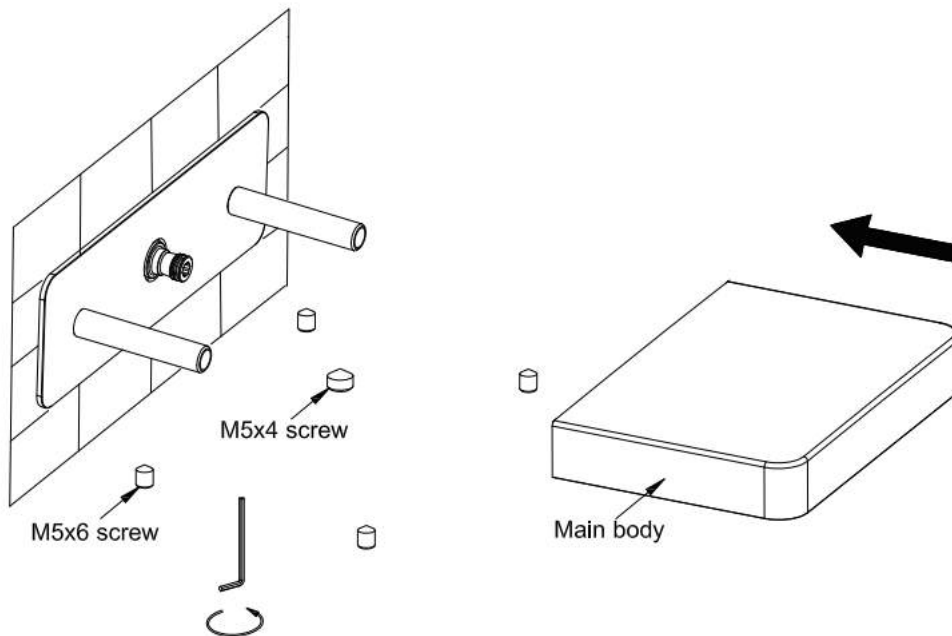
Screwdriver

Installation



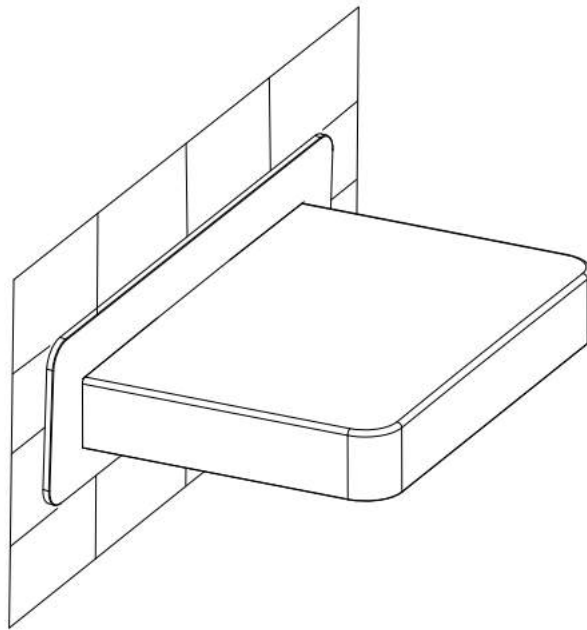


2.Hit the wall plug into the wall,and lock the plate and fixed tube by screw to the wall.



3.Install the main body to the wall.

4.Lock 4 pieces m5x6 screws by 2.5mm allen key to the main body, and then lock the m5x4 screw in the middle.



5. Check the product is level
6. Check for leaks

Maintenance and Cleaning

To clean all surface, use only a soft cloth(microfiber) and mild detergents (like soap) and then rinse thoroughly with clean water and dry with a soft cloth. Remove lime deposits using a mild dishwasher liquid.No abrasive chemicals or materials can be used on the product.

Regularly (at least once a quarter) clean, rinse and check the system, and if your water type differs from the standard parameters(such as pressure and hardness), adjust the frequency to the prevailing conditions, bearing in mind that the use of system under non-standard conditions decreases its useful life and the lack of maintenance and care drastically reduces it.

For more information

- visit betterbathrooms.com
- email customerservices@buyitdirect.co.uk
- call 0330 390 3062
- write to Trident Business Park, Neptune Way, Huddersfield, HD2 1UA

**better
bathrooms**

Part of the BuyItDirect Group